



Pressure switches
High quality at
fair prices



SKV-tec



Differential Pressure Switch PSW-M22D

This differential pressure switch is frequently used to monitor the differential at water filters, pumps, heat exchangers, chillers. The high maximum pressure and robust materials make it suitable for a multitude of applications. Available as special orders are versions with two integrated switches for different switching points, which are fed independently with pressure. The pressure switch contains one or two microswitch (SPDT). These are located in a protected housing. The set screw is also located under a cover.

Technical data

Medium	Non-hazardous media like air, water, oil
Maximum differential	10 bar
Maximum static pressure	16 bar
Storage temperature	-29 °C ~ 82 °C
Ambient temperature	-20 °C ~ +71 °C
Medium temperature	-20 °C ~ +93 °C
Electrical design	Single pole double throw (SPDT) (1x or 2x)
Electrical connection	PG16 cable gland
Medium connection	G 1/4" female thread
Permissible current	3A at 230VAC
Size	93x83x91mm
Protection class	IP 54

PSW-M22D	-	X
Model		
Set point in kPa:		
15: 50 – 150 mbar (Hysteresis: 30 +/- 10 mbar)		
30: 50 – 300 mbar (Hysteresis: 30 +/- 10 mbar)		
70: 60 – 700 mbar (Hysteresis: 30 +/- 10 mbar)		
100: 60 – 1000 mbar (Hysteresis: 50 +/- 10 mbar)		
200: 100 – 2000 mbar (Hysteresis: 60 +/- 10 mbar)		
300: 200 – 3000 mbar (Hysteresis: 70 +/- 10 mbar)		
400: 300 – 4000 mbar (Hysteresis: 80 +/- 10 mbar)		

Stand: 06/2026; Änderung vorbehalten, Right of modification reserved, Sous réserve des modifications

SKV-tec GmbH
Forchheimer Str. 4
91338 Igensdorf - Germany
Tel.: +49 – (0) 9192- 995314 / Fax: 995268

Geschäftsführer:
Dipl.-Ing. (FH) Thomas Jakob und Dipl.-Ing.(FH) Robert Krämer
Handelsregister:
Bamberg, HRB 6436

www.druckschalter.shop
info@skv-tec.de
Onlineshop:
www.druckschalter.shop



Pressure switches
High quality at
fair prices



SKV-tec



Stand: 06/2026; Änderung vorbehalten, Right of modification reserved, Sous réserve des modifications

SKV-tec GmbH
Forchheimer Str. 4
91338 Igensdorf - Germany
Tel.: +49 – (0) 9192- 995314 / Fax: 995268

Geschäftsführer:
Dipl.-Ing. (FH) Thomas Jakob und Dipl.-Ing.(FH) Robert Krämer
Handelsregister:
Bamberg, HRB 6436

www.druckschalter.shop
info@skv-tec.de
Onlineshop:
www.druckschalter.shop

Single set point switch



Single Set Point Switch M22D Series

Thank you very much for using this product, please read this manual carefully before use.

Principle and Characteristics

This series of switch is adjustable differential pressure flow switch, now introduce Single pressure setting style as below single-pole double throw (SPDT).

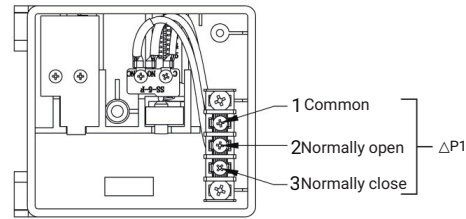
We will choose sample point separately at required inspection area by two side, at most of time there will be one equipment in this area: like water filter, pump, valve, heat exchanger, chillers, evaporators, condensers, coils, etc, when these two sample points of differential exceed/under setting value, switch will cut in/ cut off circuit output signal to control system, then Display status/ alarm/ flow control function.

Single set point switch

In practical use when switch use in system, such as HVAC water system for flow control, the accuracy will higher, without extra resistance to water system, and no special requirement for tube size, and no flow disturbance, and can avoid pump gas etching problem which will bring false flow value.

Reference standard: UL508.

Wiring Diagram



Technical Parameters

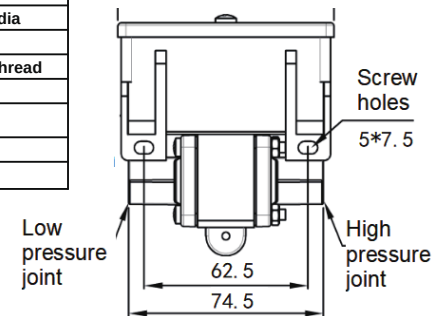
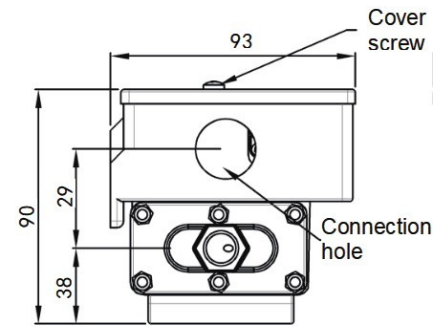
Contact form	SPDT
Medium	water, air, oil and other non corrosive media
Electrical Ratings	5A 125VAC; 3A 250VAC
Connection	1/4"SAE External thread, G1/4" Internal thread
Protection Class	IP54
Maximum side pressure	16bar
Maximum differential pressure	10bar
Long Term Stability	±1%

Single set point switch

Specification

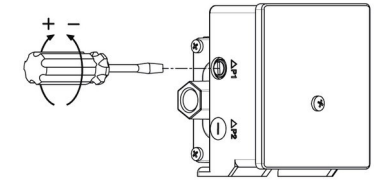
Type	ΔP1 Difference / kPa	ΔP1 Return Difference / kPa	ΔP1 1-turn variable / kPa
M22D-15	5 ~ 15	3 ~ 5	1
M22D-30	5 ~ 30	3 ~ 5	2.2
M22D-70	6 ~ 70	4 ~ 6	5.5
M22D-100	6 ~ 100	4 ~ 6	6.5
M22D-200	10 ~ 200	5 ~ 9	16
M22D-300	20 ~ 300	6 ~ 10	25
M22D-400	30 ~ 400	8 ~ 12	38

Installation Drawing



PSW-M22D
Version Number: A1.0

Pressure Regulation Steps



Before installation

The pressure decreases with the flow. Distinguish the high and low voltage ends during installation. Installation procedure:

- ① Secure the switch with a suitable screw
- ② Select the appropriate adapter or capillary.
- ③ Connect the switch to the device with two spanner wrench.
- ④ Screw out the screws and open the upper cover.
- ⑤ The wire passes through the terminal and Connect according to wiring diagram II.
- ⑥ Close the upper cover and Tighten the screws.

Pressure regulation steps:

- ① Insert a slotted screwdriver at the voltage regulating end of Δ P1.
- ② Turn them clockwise to increase the differential pressure and vice versa.
- ③ Adjust the switch to the required differential pressure according to the external pressure gauge.

Thank you for using our products and reading this manual.