



Pressure switches
High quality at
fair prices



SKV-tec



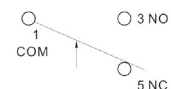
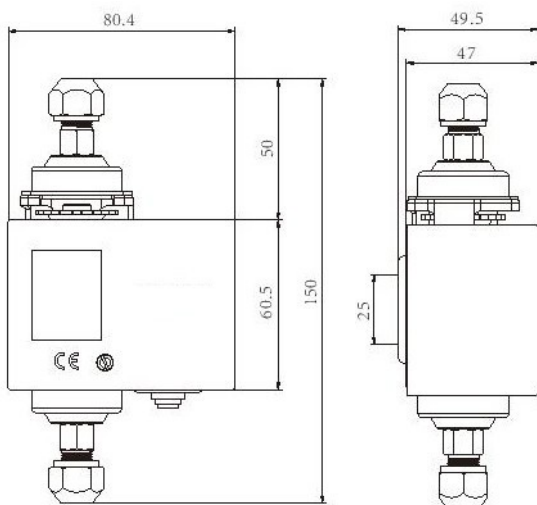
PSW-M2D

This differential pressure switch is designed to monitor differential pressures in liquids. The set pressure between the two connections is clearly visible in an optical window. This pressure switch is for example used to monitor the proper function of valves, filters and pumps, but is also able to directly control electrical consumers. The lower pressure port is for the higher pressure.

Technical data

Medium	Air, Water, Motor and hydraulic oils, Jet fuel, Other similar hydrocarbons, Water
Contact material with medium	Brass
Switching point, positive pressure	0,5 bar – 6 bar with different models
Maximum operating pressure	16,5 or 33 bar (depending on the model)
Operating temperature	-20 °C ~ +110°C
Contact arrangement	SPDT (Single pole, double throw)
Connection	M12 x 1,25
Maximum current	Resistive: 10A, Inductive: 8A at 24V DC Resistive: 20A, Inductive: 15A at 125V AC Resistive: 10A, Inductive: 8A at 250V AC
Size	150x80,4x49,5mm
Display of set switching point	Optical display for the set range

Model	Pressure range	Preset switching point	Maximum operating pressure
PSW-M2D2	0,5 – 2 bar	1 bar	16,5 bar
PSW-M2D4	0,5 – 3,5 bar	1 bar	16,5 bar
PSW-M2D4H	0,5 – 3,5 bar	1 bar	33 bar
PSW-M2D6	1 – 6 bar	1 bar	16,5 bar
PSW-M2D6H	1 – 6 bar	1 bar	33 bar



Stand: 03/2023; Änderung vorbehalten, Right of modification reserved, Sous réserve des modifications

SKV-tec GmbH
Forchheimer Str. 4
91338 Igensdorf - Germany
Tel.: +49 – (0) 9192- 995314 / Fax: 995268

Geschäftsführer:
Dipl.-Ing. (FH) Thomas Jakob und Dipl.-Ing.(FH) Robert Krämer
Handelsregister:
Bamberg, HRB 6436

www.druckschalter.shop
info@skv-tec.de
Onlineshop:
www.druckschalter.shop