



Pressure sensors
Pressure switches
Accessories



SKV-tec
High quality at fair prices



Display NOM12

This display is intended for easy and fast integration in existing measuring systems in order to display the original signal as well as the calculated measured value. It has up to 2 additional outputs, depending on the option, which can survey up to 4 switching points. It is possible to emulate simple pressure switches, as well as replace more complicated circuitry consisting of two pressure switches each. This means that this advanced display cannot just replace pressure switches but even simple controls. The configuration is done in the field with the three buttons and the display. It is intended for sensors with DIN43650A connection, having DIN43650A or M12 connection to the rest of the system.

Technical data

Signal	4 – 20 mA (Two-wire technology)
Display	-19999 – 99999 (5 digit LCD with backlight)
Voltage drop	< 8 V DC (Mindestspannung des Sensors beachten)
Switch transistors	pnp
Permissible switching current	120 mA
Size	72 mm (M12) 75 mm (DIN 43650A) (Total height), 47x57mm diameter
Operating temperature	-20 ~ 70°C
Material	ABS and PC

NOM12	-	2	X	-	X
Model					
Signal (2 = 4 – 20 mA)					
Electrical connection (1 = DIN 43650A, 2 = M12)					
Number of additional outputs					



Stand: 06/2021; Änderung vorbehalten, Right of modification reserved, Sous réserve des modifications

SKV-tec GmbH
Forchheimer Str. 4
91338 Igensdorf - Germany
Tel.: +49 – (0) 9192- 995314 / Fax: 995268

Geschäftsführer:
Dipl.-Ing. (FH) Thomas Jakob und Dipl.-Ing.(FH) Robert Krämer
Handelsregister:
Bamberg, HRB 6436

www.druckschalter.shop
info@skv-tec.de
Onlineshop:
www.druckschalter.shop



Pressure sensors
Pressure switches
Accessories



SKV-tec
High quality at fair prices



Instruction

Pin layout electrical connection system DIN43650A:

- 1 VCC(+)
- 2 Signal
- 3 Output
- 4 PE

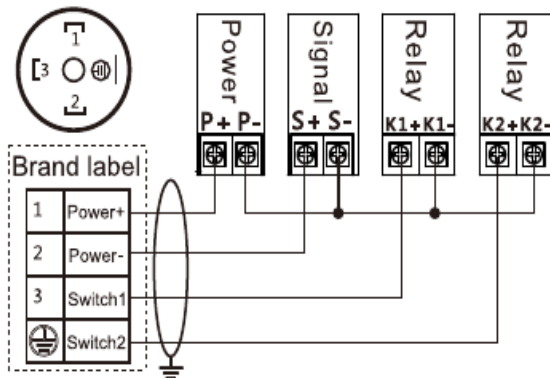
Pin layout electrical connection system M12

- 1 VCC(+)
- 2 Signal
- 3 Output 1
- 4 Output 2

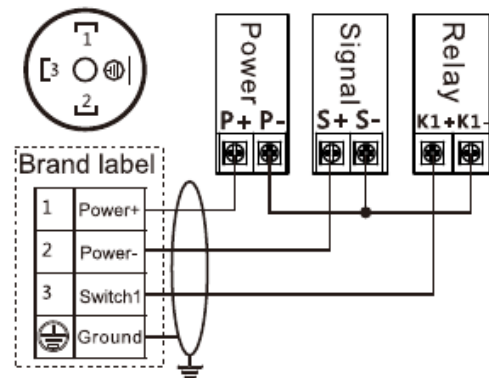
Pin layout electrical connection with transmitter

- 1 VCC(+)
- 2 Signal
- 3 empty
- 4 empty

LCD display, 2 way PNP output



LCD display, 1 way PNP output



Stand: 06/2021; Änderung vorbehalten, Right of modification reserved, Sous réserve des modifications

SKV-tec GmbH
Forchheimer Str. 4
91338 Igensdorf - Germany
Tel.: +49 – (0) 9192- 995314 / Fax: 995268

Geschäftsführer:
Dipl.-Ing. (FH) Thomas Jakob und Dipl.-Ing.(FH) Robert Krämer
Handelsregister:
Bamberg, HRB 6436

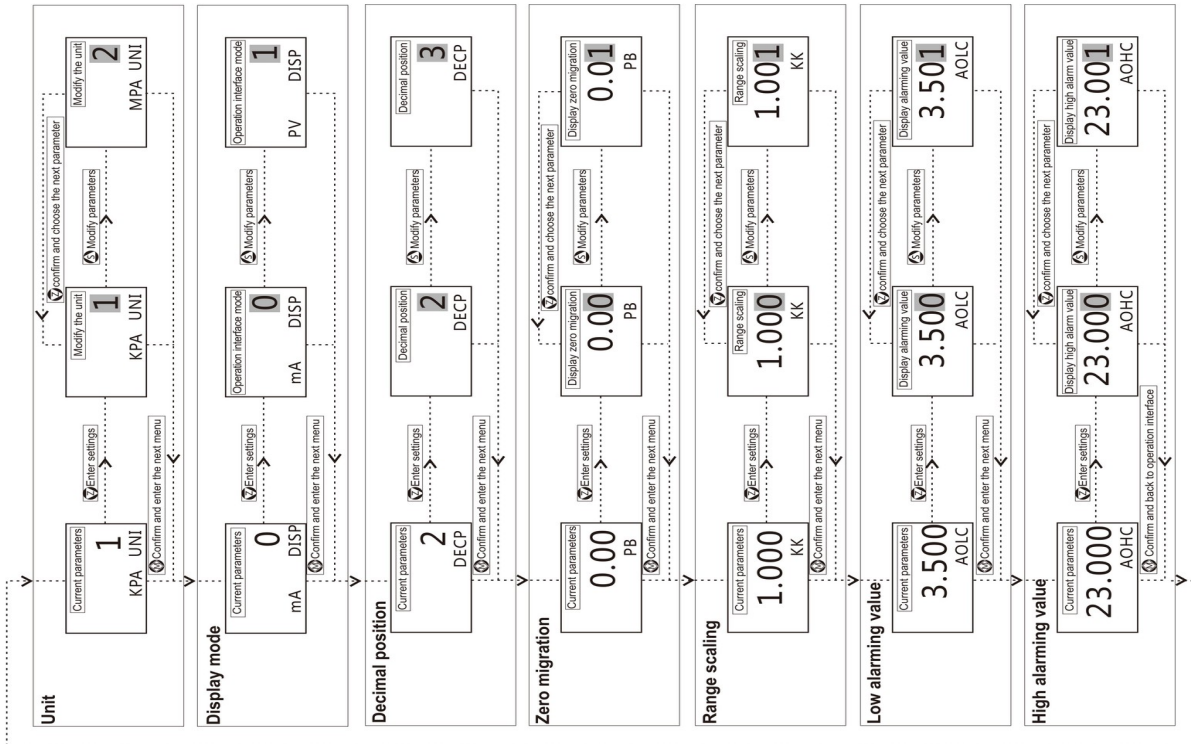
www.druckschalter.shop
info@skv-tec.de
Onlineshop:
www.druckschalter.shop



Pressure sensors
Pressure switches
Accessories

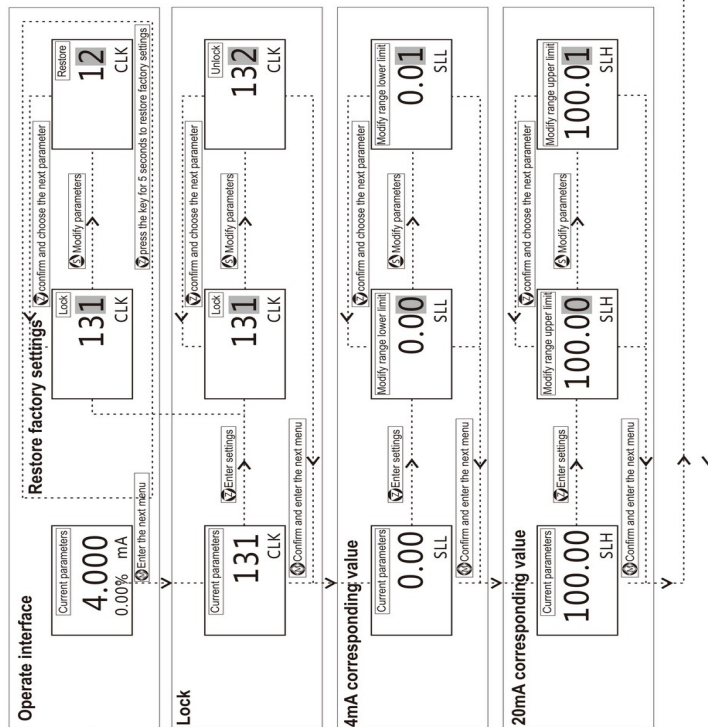


SKV-tec
High quality at fair prices



Display settings function description	
Label	Function instruction
CLK	locked, 0-255; CLK=132 Unlocked; CLK=12 Restore factory settings; other value keep locked
SLL	Lower range value; -19999-99999
SLH	Upper range value; -19999-99999
UNI	Display unit, 0-36; Blank, kPa, MPa, Pa, bar, mbar, psi, mmH2O, cmH2O, mmHg, Torr, atm, kg, g, mg, N, kN, °C, °F, °K, %RH, %VOL, PPM, %LEL, pH, m, cm, mm, inch, m/s, ft(olom), KΩ(kohm), mV, V/L/Mm3/Hour
DISP	Display interface, 0-2; DISP=0 Current value, Percentage and mA; 1, Process Variable, percentage and unit
DECP	2, Percentage, Percentage and %; Default is 1,
PB	Decimal position, 0-4; DECP=0 None; 1, First bit; 2, Second bit; 3, Third bit; 4, Fourth bit; Default 2,
KK	Zero migration; -19999-99999, Default PB=0,
AOLC	Range scaling, 0-1,9999 times, Default KK=1,
AOHC	Input lower limit current alarming value, 3.500-3.800mA
	Input upper limit current alarming value, 20.800-24.000mA

Display Settings detailed instructions



Stand: 06/2021; Änderung vorbehalten, Right of modification reserved, Sous réserve des modifications

SKV-tec GmbH
Forchheimer Str. 4
91338 Igensdorf - Germany
Tel.: +49 – (0) 9192- 995314 / Fax: 995268

Geschäftsführer:
Dipl.-Ing. (FH) Thomas Jakob und Dipl.-Ing.(FH) Robert Krämer
Handelsregister:
Bamberg, HRB 6436

www.druckschalter.shop
info@skv-tec.de
Onlineshop:
www.druckschalter.shop



Pressure sensors
Pressure switches
Accessories



SKV-tec
High quality at fair prices



Applications examples

High alarm

Some occasions require pressure higher than 1MPa output alarming signal, general settings: through switch 1 to realize, SP1=1MPa, RP1=0.95MPa, MOD1=1, SPDT1=1, RPD1=1. When pressure up to 1MPa, delay 1 second, switch 1 on (connect), when pressure down to 0.95MPa, delay 1 second, switch 1 off (disconnect).

Low alarm

In some occasions, pressure is required to lower than 1MPa output alarm signal, general settings: through switch 1 to realize, set RP1=1, SP1=1.05, MOD1=2, SPDT1=1, RPD1=1. When pressure down to 1MPa, delay 1 second, switch 1 on (connect), when pressure up to 1.05MPa, delay 1 second, switch 1 off (disconnect).

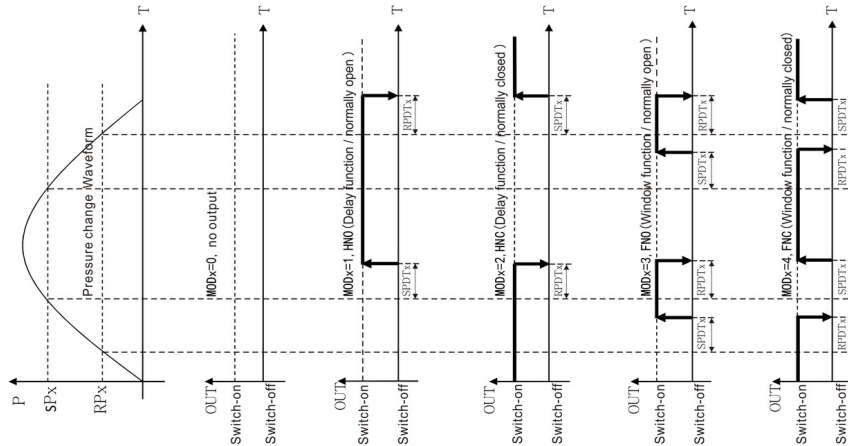
Window function

In some occasions, normal start equipment requires the pressure between 0.5~1Mpa, general settings: through switch 1 to realize
SP1=1MPa, RP1=0.5MPa, MOD1=3, SPDT1=1, RPD1=1. When pressure up to 0.5MPa, delay 1 second, switch 1 on (connect), when pressure down to 1MPa, delay 1 second, switch 1 off (disconnect); When pressure down to 1MPa again, delay 1 second, switch 1 on (connect), pressure down to 0.5MPa again, delay 1 second, switch 1 off (disconnect).

Automatic keep pressure function

In some occasions, compressor is used to pressurize equipment automatically, and keep the equipment pressure between 0.5~1Mpa, it needs two switches to realize, switch 1 is used to control the compressor, switch 2 is used to control the equipment. Switch 1 setting: SP1=0.9MPa, RP1=0.6MPa, MOD1=2, SPDT1=1, RPD1=1. Switch 1 controls the compressor power to cut off when pressure is bigger than 0.9MPa through the middle relay, and connect when pressure smaller than 0.6MPa, the pressure value is controlled between 0.6~0.9MPa. Switch 2 setting SP2=1MPa, RP2=0.5MPa, MOD2=3, SPDT2=1, RPD2=1. When equipment working pressure is over range 0.5MPa~1MPa, after delay 1 second, switch 2 controls the equipment alarm output through middle relay, to ensure timely finding and treatment when equipment working pressure is abnormal.

The output waveform with delay function



Alarming settings function description

Label	Name	Range setting	Function instruction
CLK	Parameters setting locked	0~255	CLK=132, lock, set other parameter (Note 1, note 2)
	OUT Upper range value	-19999~99999	CLK=12, Press Z key for 5 seconds, restore factory settings
	OUT Lower range value	-19999~99999	CLK=132, Unlock, can't set other parameter
	OUT switch-on delay	0~60.0(S)	Transistor output upper range value
MODx	OUT switch-off delay	0~60.0(S)	Transistor output lower range value
	OUT working module	MODx=0	Transistor output switch-on delay time
		MODx=1	Transistor output switch-off delay time
		MODx=2	No output, OUTx keep switch-off state
RPD1x		MODx=3	When measuring value > SPx and delay SPDTx, OUTx is switch-on (Note 4)
		MODx=4	When measuring value < RPx, delay RPD1x, OUTx is switch-off (OV, following the same)
			When measuring value > SPx, delay RPD1x, OUTx is switch-off
			When measuring value < RPx, delay SPDTx, OUTx is switch-on
SPDTx			RPx=measuring value < SPx, delay SPDTx, OUTx is switch-on
			Measuring value > SPx or measuring value < RPx, delay RPD1x, OUTx is switch-off
			Measuring value > SPx or measuring value < RPx, delay SPDTx, OUTx is switch-on
			RPx=measuring value < SPx, delay RPD1x, OUTx is switch-off

Notes: Note1, keep press Z key under measuring state, then press M key (M+Z) and keep more than 5 seconds, enter the first output (SW1) parameters setting menu
 Note 2, When CLK=132, keep press S key under measuring state, then press M key (M+Z), keep more than 3 seconds, enter the second output (SW1) parameters setting menu
 Note3, x=1 or 2
 Note4, valid level is lower than power level 2V, for example if power level is 24V, then valid level is 22V

Stand: 06/2021; Änderung vorbehalten, Right of modification reserved, Sous réserve des modifications

SKV-tec GmbH
 Forchheimer Str. 4
 91338 Igensdorf - Germany
 Tel.: +49 – (0) 9192- 995314 / Fax: 995268

Geschäftsführer:
 Dipl.-Ing. (FH) Thomas Jakob und Dipl.-Ing.(FH) Robert Krämer
 Handelsregister:
 Bamberg, HRB 6436

www.druckschalter.shop
 info@skv-tec.de
 Onlineshop:
 www.druckschalter.shop



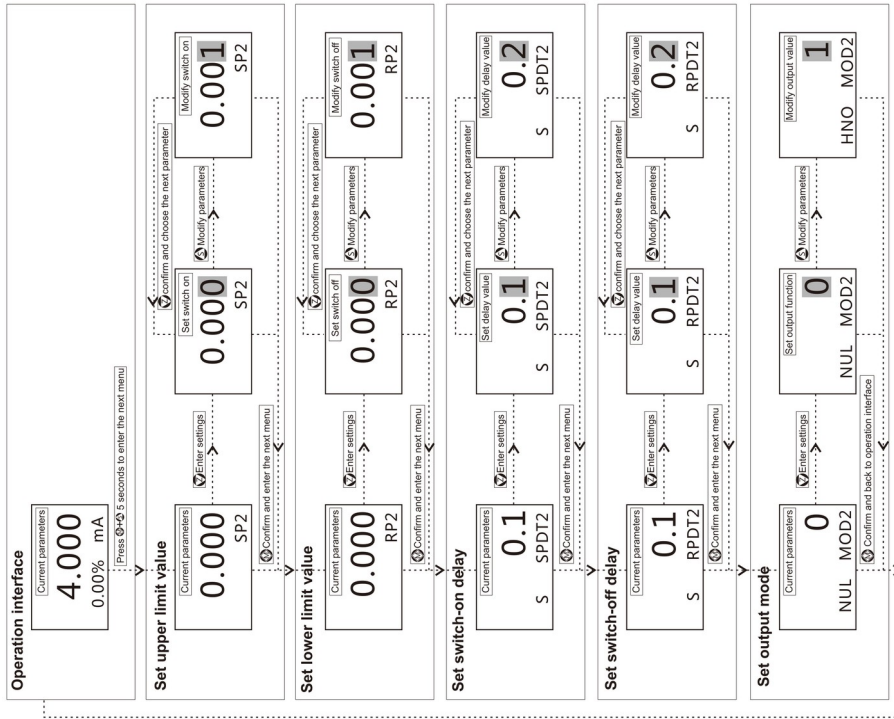
Pressure sensors
Pressure switches
Accessories



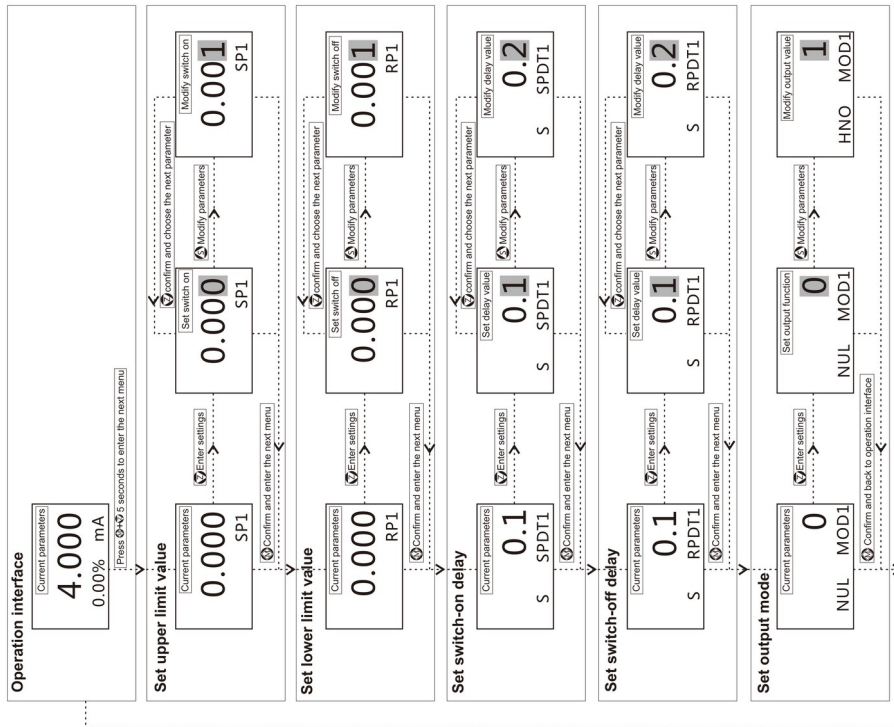
SKV-tec
High quality at fair prices



The second alarm setting detailed instructions



The first alarm setting detailed instructions



Stand: 06/2021; Änderung vorbehalten, Right of modification reserved, Sous réserve des modifications

SKV-tec GmbH
Forchheimer Str. 4
91338 Igensdorf - Germany
Tel.: +49 – (0) 9192- 995314 / Fax: 995268

Geschäftsführer:
Dipl.-Ing. (FH) Thomas Jakob und Dipl.-Ing.(FH) Robert Krämer
Handelsregister:
Bamberg, HRB 6436

www.druckschalter.shop
info@skv-tec.de
Onlineshop:
www.druckschalter.shop